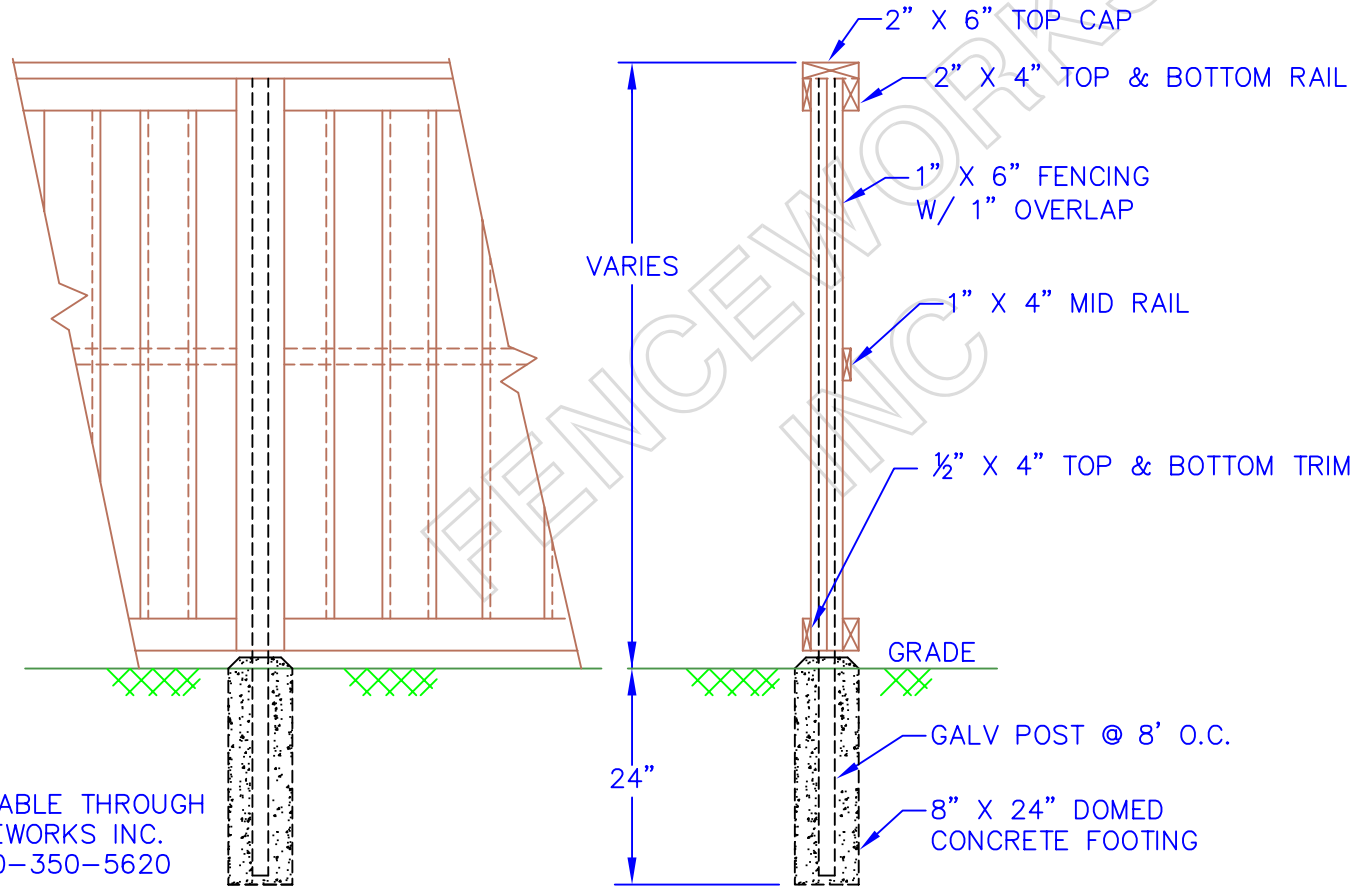


TOP VIEW OF BOLT UP POST



AVAILABLE THROUGH
FENCEWORKS INC.
1-800-350-5620

NOTE:

CONTRACTOR SHALL USE
GALVANIZED NAILS
THROUGHOUT

ALL WOOD MEMBERS SHALL BE
ROUGH SAWN LUMBER.

ALL WOOD SHALL BE PAINTED
OR CLEAR SEALED

DETAIL NAME:

FW-BOARD ON BOARD WOOD FENCE
WITH STEEL POST



RIVERSIDE
OCEANSIDE
ANAHEIM
PALMDALE
MENIFEE
BAKERSFIELD
SANTA PAULA
EL CENTRO

PHONE #

800-350-5620

DETAIL NO.

W-002