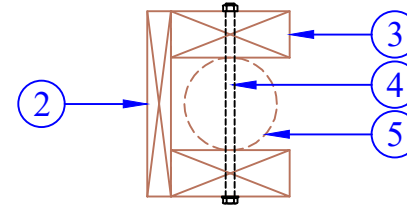


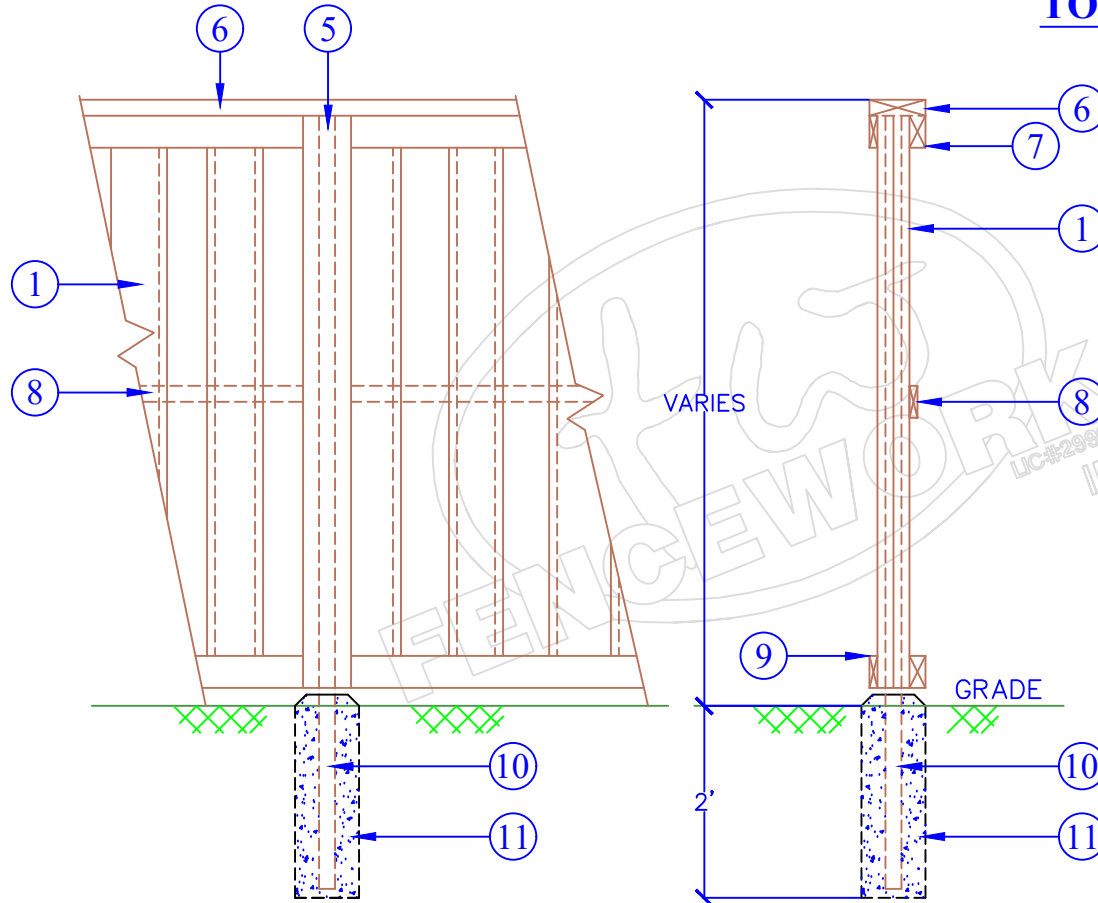
1



TOP VIEW OF BOLT UP POST

LEGEND

1. 1" X 6" FENCING W/ 1" OVERLAP.
2. 1" X 6" TO COVER POST.
3. 2" X 4" UPRIGHT.
4. 2-3/8" MACHINE BOLTS.
5. 2-3/8" SCH 20.
6. 2" X 6" TOP CAP.
7. 2" X 4" TOP & BOTTOM RAIL.
8. 1" X 4" MID RAIL.
9. 1/2" X 4" TOP & BOTTOM TRIM.
10. GALV POST @ 8' O.C.
11. 8" X 24" DOMED CONCRETE FOOTING.



AVAILABLE THROUGH
[FENCEWORKS INC.](http://www.fenceworks.com)
 1-800-788-5620

NOTE:

- CONTRACTOR SHALL USE GALVANIZED NAILS THROUGHOUT.
- ALL WOOD MEMBERS SHALL BE ROUGH SAWN LUMBER.
- OPTION: ALL WOOD SHALL BE PAINTED OR CLEAR SEALED.

SCALE: NTS UNLESS NOTED

DETAIL NO.

W-002

LICENSE NO.

299964

FW-BOARD ON BOARD WOOD FENCE WITH STEEL POST

WEBSITE

WWW.FENCEWORKS.US

PHONE NO.

(800) 350-5620

LOCATION:
 ANAHEIM
 RIVERSIDE
 FRESNO
 PALMDALE
 MANTECA
 SACRAMENTO
 BAKERSFIELD
 SANTA PAULA
 FALLBROOK

