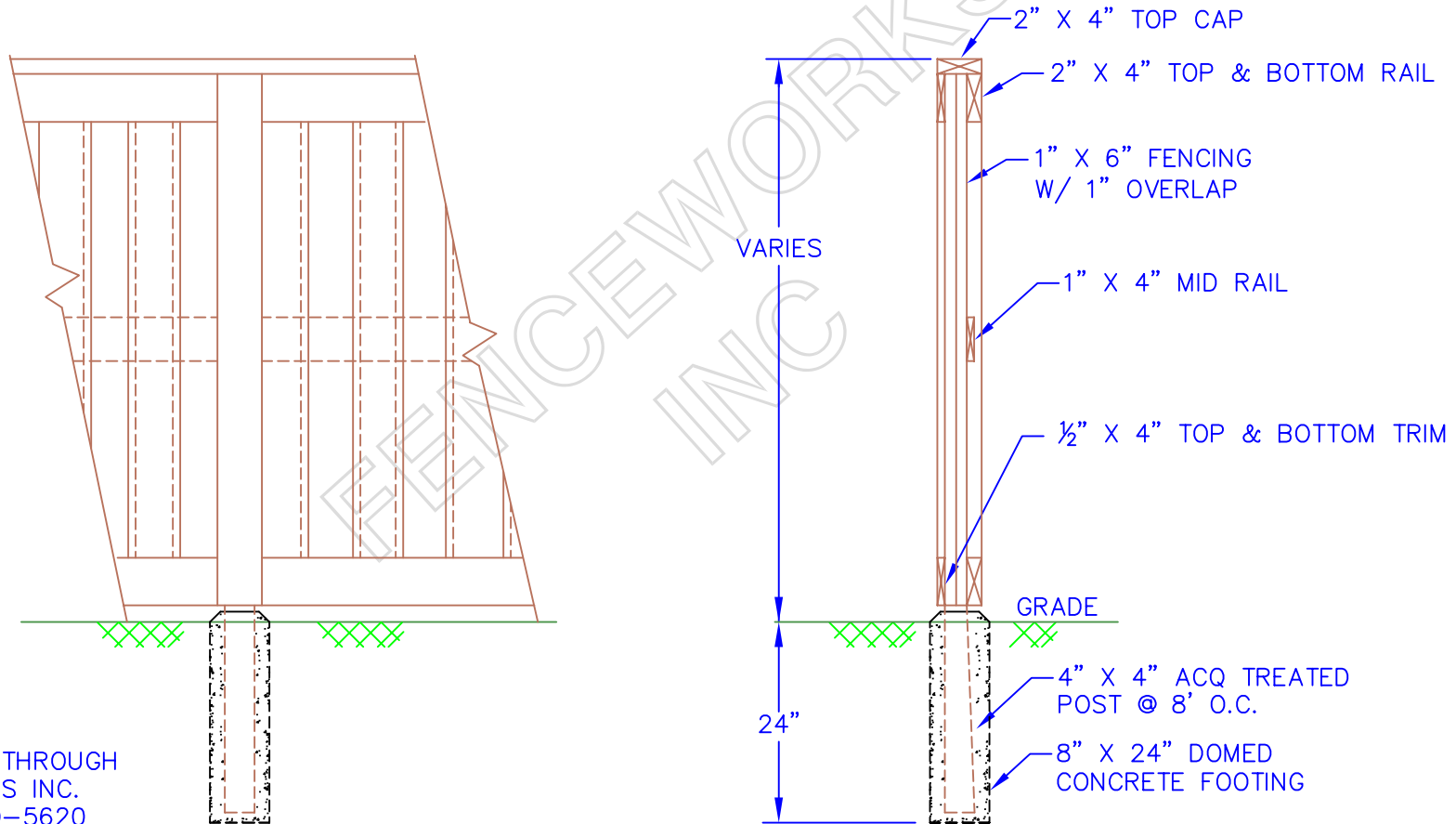


NOTE:

CONTRACTOR SHALL USE GALVANIZED NAILS THROUGHOUT

ALL WOOD MEMBERS SHALL BE ROUGH SAWN LUMBER.



AVAILABLE THROUGH  
FENCEWORKS INC.  
1-800-350-5620

DETAIL NAME:

**FW-RIGHTWOOD BOARD ON BOARD  
WOOD FENCE**



RIVERSIDE  
OCEANSIDE  
ANAHEIM  
PALMDALE  
MENIFEE  
BAKERSFIELD  
SANTA PAULA  
EL CENTRO

PHONE #

**800-350-5620**

DETAIL NO.

**W-004**