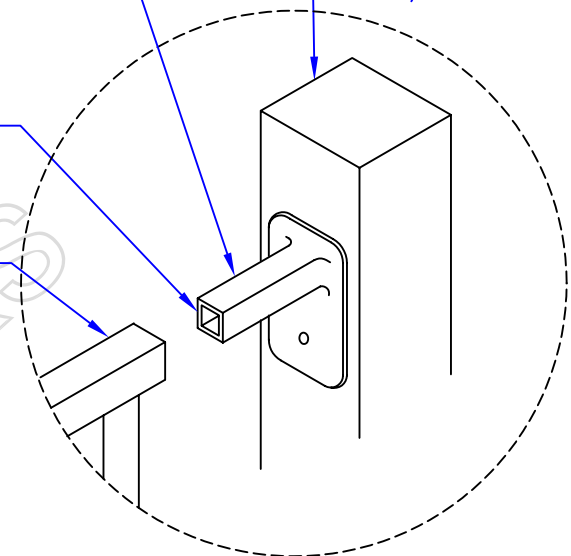


OUTSIDE DIMENSION SLIGHTLY LESS THAN INSIDE DIMENSION OF TOP OR BOTTOM RAIL.

2" X 2" FENCE POST (OR BLOCK PORTION OF WALL/PILASTER)

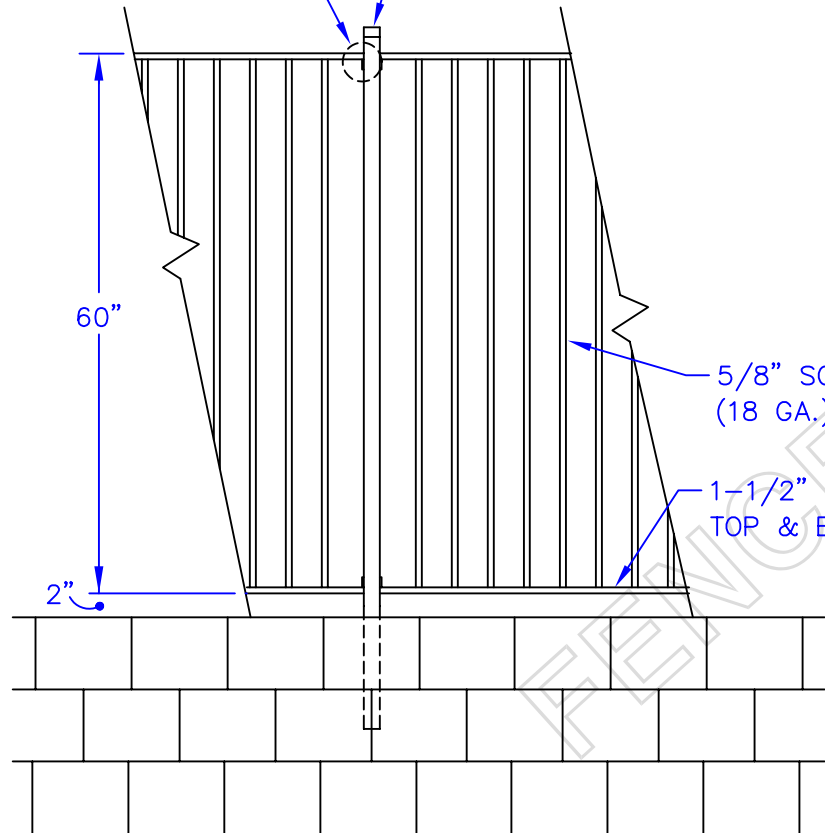
CAULK JOINT W/ CLEAR SILICON

FENCE RAIL SLIPS OVER ASSEMBLY



BRACKET ATTACHMENT DETAIL

SEE DETAIL  
2" SQ. TUBULAR STEEL POST W/ CAP @ 8'-0" O.C. (16 GA.)



5/8" SQ. PICKETS @ 4-1/2" O.C. (18 GA.)

1-1/2" SQ. TUBULAR STEEL RAILS TOP & BOTTOM (16 GA.)

NOTE:

ALL MATERIAL TO BE PREGALVANIZED.

PAINT W/ONE COAT EPOXY PRIMER & ONE COAT POLYURETHANE FINISH, COLOR TIGER DRY LAC #9004 BLACK

ALL PICKET CONTINUOUS WELDS AND COLD GALVANIZED APPLIED TO WELDS.

CONNECT PANELS TO POST WITH SLIDER BRACKET (NO WELDING)

AVAILABLE THROUGH  
FENCEWORKS INC.  
1-800-350-5620

DETAIL NAME:

FW-TUBULAR STEEL FENCE ON BLOCK



RIVERSIDE  
OCEANSIDE  
ANAHEIM  
PALMDALE  
MENIFEE  
BAKERSFIELD  
SANTA PAULA  
EL CENTRO

PHONE #

800-427-0882

DETAIL NO.

0/1-006