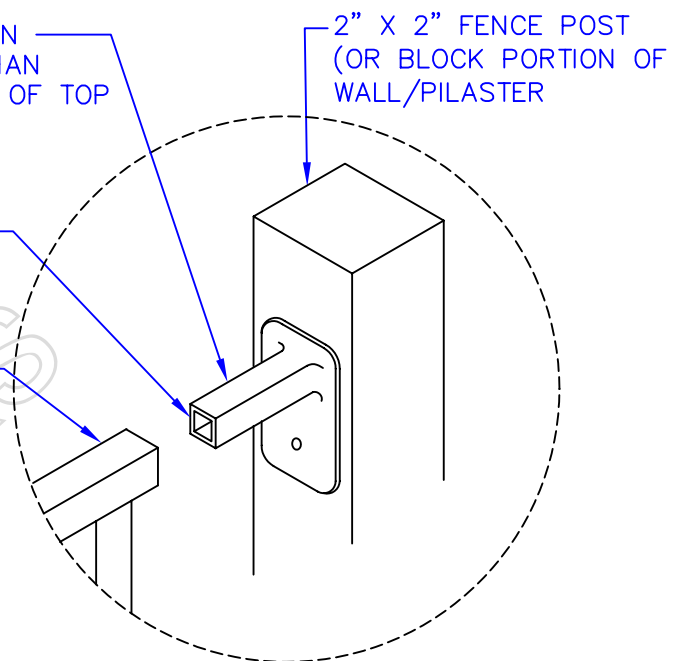


AVAILABLE THROUGH  
 FENCEWORKS INC.  
 1-800-350-5620

OUTSIDE DIMENSION SLIGHTLY LESS THAN INSIDE DIMENSION OF TOP OR BOTTOM RAIL.

CAULK JOINT W/ CLEAR SILICON

FENCE RAIL SLIPS OVER ASSEMBLY



BRACKET ATTACHMENT DETAIL

NOTE:

ALL MATERIAL TO BE PREGALVANIZED.

PAINT W/ONE COAT EPOXY PRIMER & ONE COAT EXTERIOR ENAMEL FINISH COLOR BY OWNER

ALL PICKET CONTINUOUS WELDS AND COLD GALVANIZED APPLIED TO WELDS.

CONNECT PANELS TO POST WITH SLIDER BRACKETS (NO WELDING)

DETAIL NAME:

**FW-TUBULAR STEEL FENCE**



RIVERSIDE  
 OCEANSIDE  
 ANAHEIM  
 PALMDALE  
 MENIFEE  
 BAKERSFIELD  
 SANTA PAULA  
 EL CENTRO

PHONE #

**800-350-5620**

DETAIL NO.

**0/1-001**