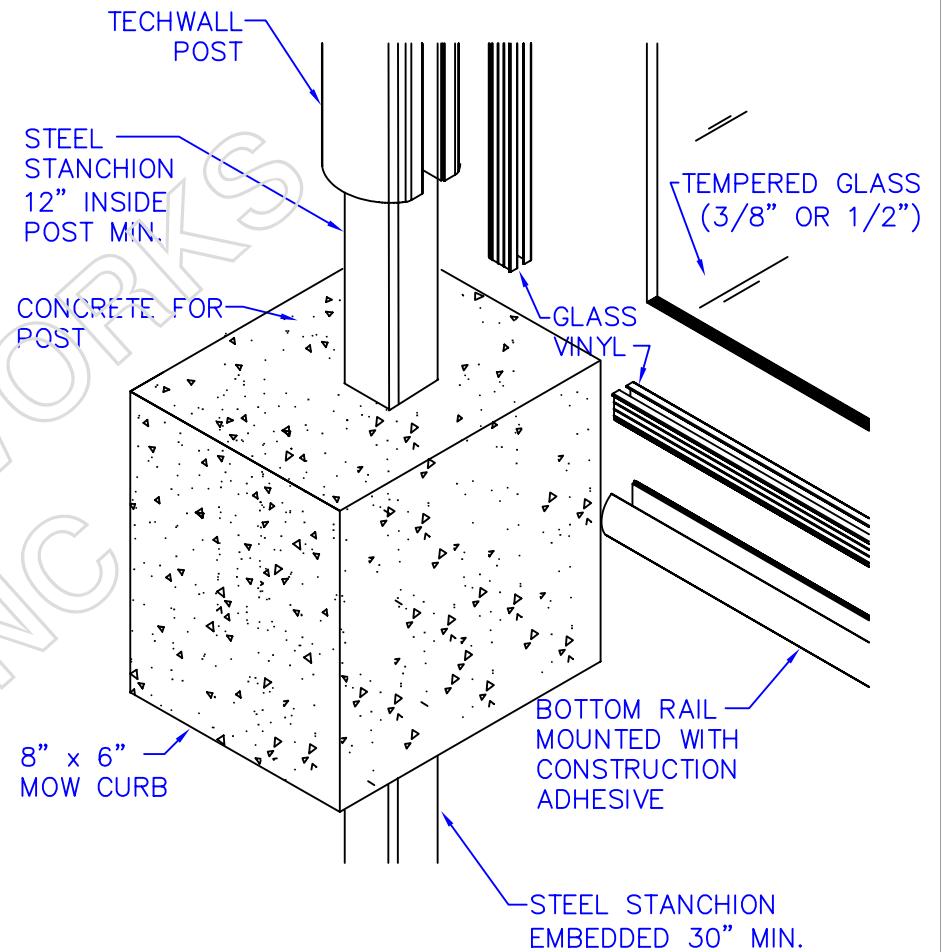


DETAIL 1



DETAIL 2

DETAIL NAME:

FW-GLASS MOW CURB DETAIL



RIVERSIDE
OCEANSIDE
ANAHEIM
PALMDALE
MENIFEE
BAKERSFIELD
SANTA PAULA
EL CENTRO

PHONE #

800-350-5620

DETAIL NO.

G-012